

# Providing a Constant Current for Powering LEDs Using the PRM™ and VTM™

By: Joe Aguilar  
Product Line Applications Engineer



Contents	Page
<a href="#">Introduction</a>	1
<a href="#">Background: Adaptive Loop Regulation</a>	2
<a href="#">Current Control Circuit</a>	4
<a href="#">Overview</a>	4
<a href="#">VI Chip® Selection (PRM™, VTM™)</a>	5
<a href="#">Current Sensing Sub-Circuit</a>	6
<a href="#">Differential and Error Amplifier Selection (U<sub>2</sub>)</a>	6
<a href="#">Shunt (Current Sense) Resistor (R<sub>1</sub>) Selection</a>	6
<a href="#">Differential Amplifier Gain (R<sub>2</sub> through R<sub>5</sub>)</a>	7
<a href="#">Voltage Reference (U<sub>1</sub>)</a>	7
<a href="#">Voltage Limiting Sub-circuit</a>	9
<a href="#">Compensation Components (R<sub>6</sub>, C<sub>2</sub>)</a>	10
<a href="#">Voltage Supply (VH)</a>	12
<a href="#">Startup Sequencing of the Current Regulation Circuit</a>	13
<a href="#">Current Regulation Accuracy</a>	15
<a href="#">Conclusion</a>	16
<a href="#">Appendix A - Design Example</a>	17

## Introduction

Light Emitting Diodes (LEDs) require a constant current for proper operation. The VI Chip® PRM Regulator and VTM Current Multiplier are designed to provide a regulated voltage using the Adaptive Loop Method of regulation (for further information please see: [www.vicorpower.com/documents/whitepapers/fpa101.pdf](http://www.vicorpower.com/documents/whitepapers/fpa101.pdf)). In order to use the PRM and VTM to power an LED, it is therefore necessary to modify the operation of the PRM to provide a regulated current. This application note provides guidelines for implementing a constant current source using the PRM and VTM.

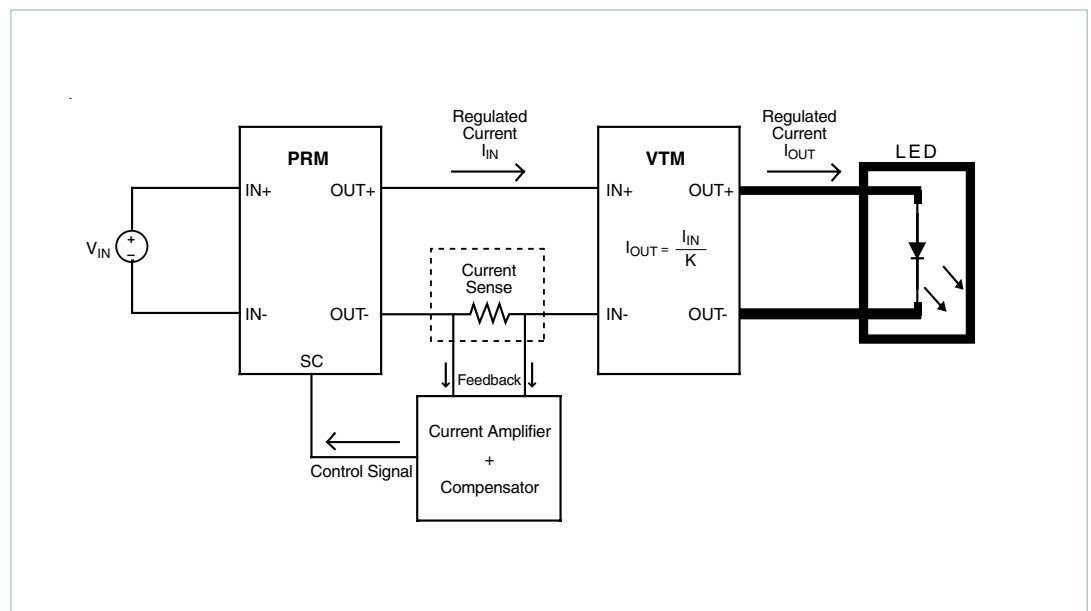
Using the PRM and VTM to provide a constant current provides several advantages over conventional approaches. The implementation of a VTM in a system provides point of load current multiplication. The output current of a VTM is proportional to its input current by the following equation:

$$I_{OUT} = \frac{I_{IN}}{K} \quad (1)$$

Thus in a controlled current application, the input current to the VTM can be sensed and regulated to control the output current. Sensing a lower current requires a smaller sensor which dissipates lower power and improves overall efficiency. Also the VI Chips themselves provide high efficiency and high power density, making the overall LED system small and cool and maximizing the output in Lumens per watt of dissipation. The overall system architecture is illustrated in Figure 1.

A complete design example is covered in Appendix A, using the techniques outlined in this application note.

Some LEDs require a pulsed current in order to operate properly. Pulsed-current operation will be covered in a future application note, due to bandwidth limitations of the circuit configuration proposed here. Also most known LED types can be driven with a single PRM + VTM pair. Parallel operation of PRMs and VTMs to provide a regulated current is not addressed in this application note.



**Figure 1**  
Regulated Current Source  
Basic Architecture

## Background: Adaptive Loop Regulation

This application note requires a basic understanding of VI Chips®, and Factorized Power Architecture (FPA), including Adaptive Loop regulation. Please refer to the following link: [www.vicorpower.com/documents/whitepapers/fpa101.pdf](http://www.vicorpower.com/documents/whitepapers/fpa101.pdf) for more information.

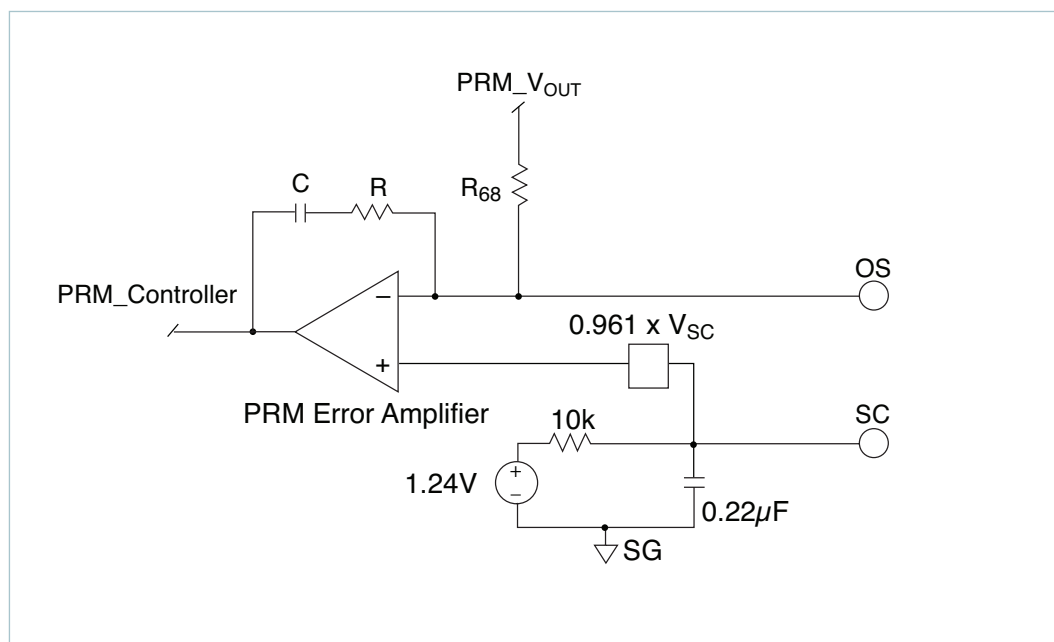
Before starting, the user should have a defined set of system design requirements. These requirements should include: output current set point, output voltage range, and current regulation accuracy. In most cases the specific data sheet of the LED or LED array will define many of the requirements for properly designing this circuit. It is important that the V-I characteristics of the end device (LED) are well understood to ensure that the circuit can provide the desired current within the voltage limitations of the PRM™ and VTM™.

The PRM is pre-configured with an internal voltage loop that regulates the output voltage of the PRM to a set value.

The internal workings of the PRM should be well understood, as the external constant current circuit has been designed to work in conjunction with the internal voltage control loop, changing the PRM voltage reference in order to regulate the VTM output current.

A simplified block diagram of the PRM internal voltage control loop is shown in Figure 2.

**Figure 2**  
Functional diagram of PRM  
Internal Error Amplifier



An internal reference is generated and connected to the SC port of the PRM through a 10k resistor and a 0.22µF capacitor, which provides a soft-start. The SC voltage can be adjusted by adding an external resistor, or by applying an external voltage. The applied voltage at the SC port should not exceed 6V<sub>DC</sub>.

The SC voltage is buffered and fed to the error amplifier through a resistive divider represented by the gain block of 0.961.  $R_{68}$  forms the top half of the voltage-sensing resistive divider. This resistor is fixed for each PRM™. Please refer to table 1 for  $R_{68}$  values for each PRM. The bottom half of the divider is formed by adding a resistor from the OS pin to SG ( $R_{OS}$ ). Equation 2 defines the PRM output as a function of  $V_{SC}$  and  $R_{OS}$ . From Equation 2, it is seen that for a given  $R_{OS}$  resistor, adjusting the SC voltage will determine the PRM output voltage. This is the method by which the external current control circuit will control the output.

$$PRM_{V_{OUT}} = \frac{0.961 \cdot V_{SC} \cdot (R_{68} + R_{OS})}{R_{OS}} \quad (2)$$

Where:

$V_{SC}$  is the voltage at the SC pin of the PRM.

$R_{OS}$  is the resistance from OS to SG of the PRM.

$R_{68}$  is the PRM internal resistor specified in Table 1.

**Table 1**  
PRM Internal  $R_{68}$  Values

PRM	$V_{IN}$	$P_{OUT}$	$R_{68}$	
P048-048-24AL	36 – 75V	240W	93.1k	
P048-048-12AL		120W		
P048-048-12AL	38 – 55V	320W		
P045-048-17AL		170W		
P024-048-12AL	18 – 36V	120W		
P036-048-12AL	18 – 60V	120W		
MP028F036M12AL	16 – 50V	120W		69.8k



**Table 2**  
Recommended Values

Ref Des	Value / Part Number	Manufacturer	Description	Link
R <sub>1</sub>	CSM25120R010BXX	Vishay	Current Sense Resistor, 10mΩ, 1W, 0.1%, 2512	<a href="#">CSM2512</a>
R <sub>2</sub> , R <sub>4</sub>	1k		Resistor, 0.1% 1k	
R <sub>3</sub> , R <sub>5</sub>	100k		Resistor, 0.1%, 100k	
R <sub>6</sub>	16.2k		Resistor, 1%, 16.2k	
R <sub>7</sub>	2.15k		Resistor, 1%, 2.15k	
R <sub>8</sub>	1.24k		Resistor, 1%, 1.24k	
R <sub>9</sub> *	4.99k*		Resistor, 1%, 4.99k*	
R <sub>10</sub>	User Defined		Dependent on Reference Voltage	
R <sub>11</sub>	User Defined		Dependent on Reference Voltage	
R <sub>12</sub>	User Defined		Dependent on Reference Voltage	
R <sub>13</sub>	10k		Resistor, 1%, 10k	
C <sub>1</sub>	0.01μF		Capacitor, Ceramic, 0.01μF	
C <sub>2</sub>	0.1μF		Capacitor, 0.1μF	
C <sub>3</sub>	User Defined		Dependant on Startup	
C <sub>4</sub>	0.01μF		Capacitor, Ceramic, 0.01μF	
U <sub>1</sub>	TLV431B	TI	3 terminal, Adjustable, Precision Shunt Regulator	<a href="#">TLV431B</a>
U <sub>2</sub>	AD8667	Analog Devices	Low Noise, Precision, 16V Dual Op amp	

\*If using MP028F036M12AL use 4.12k for R<sub>9</sub>

The following are general guidelines to select the appropriate components for a straightforward, cost-effective solution with minimal component count. As there are many ways in which the circuit may be implemented, the recommended configuration may not be ideal for every application. This application note should contain enough detail for the end user to modify the circuit to fit their end application.

Some aspects of the circuit, such as startup timing, are difficult to predict and therefore must be tested and tuned to the individual application. It is up to the user to perform the necessary system testing and troubleshooting to successfully qualify the implementation of this circuit in their end application.

### VI Chip® Selection (PRM™, VTM™)

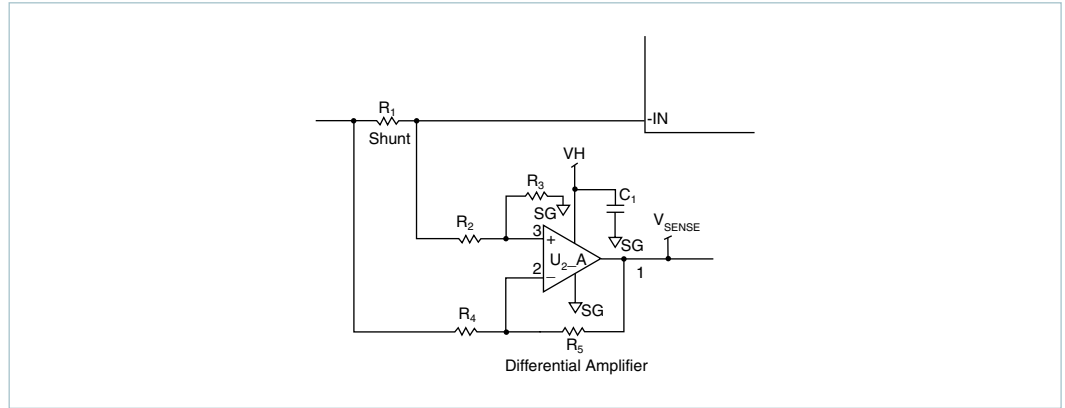
Select the PRM based on input voltage range and power level. Different load voltage requirements are addressed by appropriate VTM selection. To select a VTM, the following parameters must be known:

- Maximum output current.
- Minimum and maximum operating output voltage.

Refer to the web ([www.vicorpower.com/dc-dc-converters-board-mount/vtm](http://www.vicorpower.com/dc-dc-converters-board-mount/vtm)) to determine if there is a VTM which will provide the desired current over the specified voltage range of the intended load device. Then, refer to the specific product data sheet for information on operation and performance.

## Current Sensing Sub-Circuit

**Figure 4**  
Current Sense Components



Although there are other techniques, the recommended method of current sensing is low-side sensing using a differential amplifier.

### Differential and Error Amplifier Selection ( $U_2$ )

The use of a dual op amp for the differential amplifier and error amplifier is recommended in order to minimize component count. Since the overall bandwidth of the system will be limited, the amplifier selection should optimize the current sensing accuracy. Critical parameters, which contribute directly to accuracy, are the input offset voltage and input offset current. These parameters should be kept as low as possible to minimize current sensing error. Amplifier current draw will also need to be considered when selecting a voltage supply.

The recommended amplifier is Analog Devices AD8667.

The key parameters are summarized in Table 3. Refer to the manufacturer's data sheet for further information.

**Table 3**  
AD8667 Parameters

Parameter	Symbol	Value	Units	Conditions
Offset Voltage Max	$V_{OS}$	450	$\mu\text{V}$	$-40 < T_{AMB} < 125$
Offset Current Max	$I_{OS}$	65	$\text{pA}$	$-40 < T_{AMB} < 125$
Bias Current Max	$I_B$	105	$\text{pA}$	$-40 < T_{AMB} < 125$
Supply Current per Amplifier Max	$I_{SY}$	325	$\mu\text{A}$	$-40 < T_{AMB} < 125$

### Shunt (Current Sense) Resistor ( $R_1$ ) Selection

As with the amplifier, the shunt resistor has a significant impact on the current sensing accuracy. If the expected resistance of the shunt varies by 5%, so too will the expected shunt voltage, resulting in an equivalent current sense error. It is, therefore, critical to select a shunt resistor within the desired tolerance of the current source accuracy. The magnitude of the shunt voltage should be large relative to the amplifier's input offset voltage to avoid further inaccuracy. In addition, the presence of the shunt contributes to additional power loss. Its value should be kept low to minimize power dissipation. The recommended shunt is the Vishay [CSM25120R010B](#). This is a 10m $\Omega$ , 0.1% tolerance, 1W, 2512 metal foil, four-terminal resistor with Kelvin test points for voltage sensing. At 5A, this part will dissipate approximately 250mW of power.

### Differential Amplifier Gain ( $R_2$ through $R_5$ )

For a given shunt value, the gain of the differential amplifier will determine the necessary reference voltage to achieve a desired output current. Assuming  $R_2$  is equal to  $R_4$ , and  $R_3$  is equal to  $R_5$ , the output of the differential amplifier is defined by Equation 3.

$$V_{SENSE} = V_{SHUNT} \cdot \left( \frac{R_3}{R_2} \right) \quad (3)$$

Where:

$V_{SENSE}$  is the differential amplifier output.

$V_{SHUNT}$  is the voltage across the shunt ( $R_1$ ).

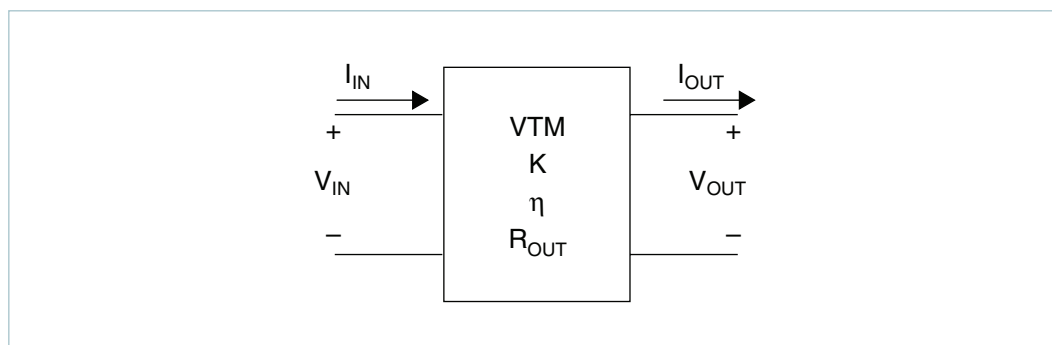
The recommended values equate to a gain of 100, resulting in a differential amplifier output of 1V per Amp of PRM™ current when using a 10mΩ shunt.

### Voltage Reference ( $U_1$ )

The VTM™ has the following input/output characteristics, illustrated in Figure 5:

1.  $P_{IN} = V_{IN} \cdot I_{IN}$
2.  $P_{OUT} = V_{OUT} \cdot I_{OUT}$
3.  $V_{OUT} = V_{IN} \cdot K - I_{OUT} \cdot R_{OUT}$
4.  $P_{OUT} = P_{IN} \cdot \eta$

**Figure 5**  
VTM Operation



Based on the above relationships, Equation 4 can be solved for the necessary VTM input current when given output current, output voltage, VTM efficiency, and VTM output resistance. This is important since the PRM current control circuit will control the input current to the VTM.

$$VTM_{I_{IN}} = PRM_{I_{OUT}} = \frac{V_{OUT} \cdot I_{OUT} \cdot K}{\eta \cdot (V_{OUT} + I_{OUT} \cdot R_{OUT})} \quad (4)$$

Where:

$I_{OUT}$  is the desired output current of the VTM.

$V_{OUT}$  is the nominal output voltage of the VTM.

$\eta$  is the nominal efficiency of the VTM at the given output.

$R_{OUT}$  is the nominal output resistance of the VTM.

$K$  is the transformation ratio of the VTM.

Based on the current sensing component selection, the required reference voltage can be determined by Equation 5.

$$V_{REF} = PRM_{I_{OUT}} \cdot R_1 \cdot \left( \frac{R_3}{R_2} \right) \quad (5)$$

Where:

$V_{REF}$  is the voltage reference.

$PRM_{I_{OUT}}$  is the necessary PRM current from Equation 4.

$R_1$  is the shunt resistor.

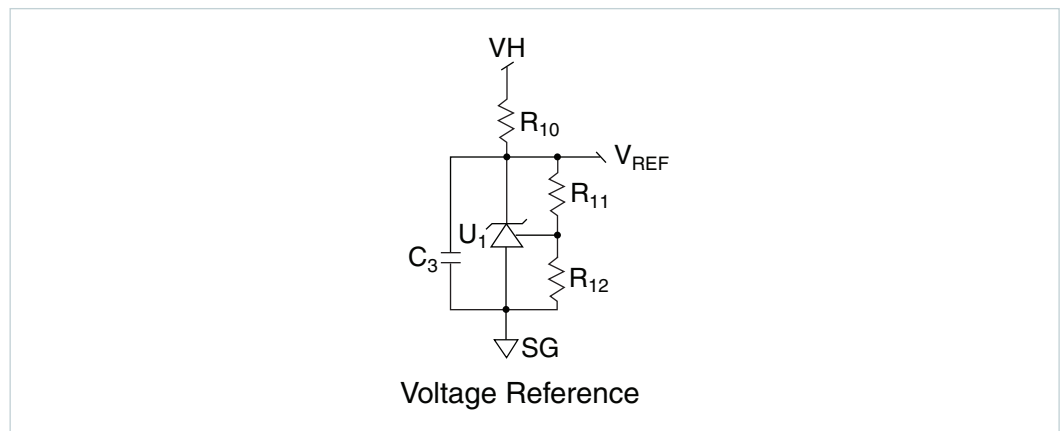
$R_3$ , and  $R_2$  are the differential amplifier gain resistors.

For the values given in Table 2,  $R_1 \cdot \left( \frac{R_3}{R_2} \right) = 1$  and therefore,  $V_{REF} = PRM_{I_{OUT}}$

There are multiple options available for generating the reference voltage.

One simple approach is to use an adjustable shunt regulator such as the [TLV431B](#).

**Figure 6**  
Reference Components



When selecting  $R_{10}$  and  $C_3$ , refer to the manufacturer's recommendations to ensure stability. Bear in mind that these components will also affect the startup timing, as described in a later section. Resistors  $R_{11}$  and  $R_{12}$  are used to adjust the output. The tolerance of these resistors will have a direct effect on accuracy; high precision resistors should be used. The current draw of the device should be kept below 1mA for the recommended configuration to stay within the 5mA limit of VH.

This approach assumes that the reference voltage will be adjusted to achieve the correct output current based on a given shunt and differential amplifier gain. An alternative approach would be to fix the reference and adjust the gain to obtain the desired output current.

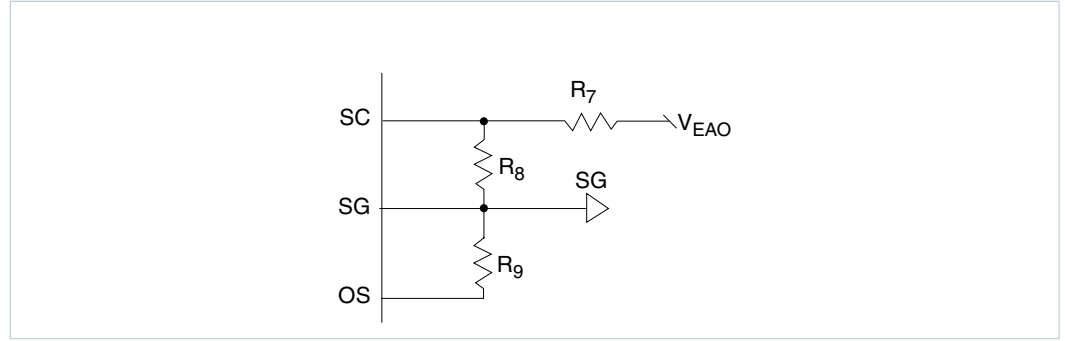
In this case Equation 5 can be rearranged and the gain of the differential amplifier can be calculated for a given reference voltage, PRM output current and shunt.

$$\left( \frac{R_3}{R_2} \right) = \frac{V_{REF}}{PRM_{I_{OUT}} \cdot R_1} \quad (6)$$



## Voltage Limiting Sub-circuit

**Figure 7**  
Voltage Limiting Components



The resistors  $R_7$  and  $R_8$  are required to limit the maximum voltage that appears on SC when the error amplifier is at its maximum. The resistor  $R_9$  is selected to limit the maximum PRM™ output voltage during this condition.

The internal SC capacitor ( $0.22\mu\text{F}$ ) will create a pole with the equivalent resistance formed by the parallel combination of  $R_7$ ,  $R_8$ , and the internal  $10\text{k}\Omega$  resistor.

$$R_{EQ} = \frac{1}{\frac{1}{R_7} + \frac{1}{R_8} + \frac{1}{10\text{k}\Omega}} \quad (7)$$

$$F_{POLE} = \frac{1}{2 \cdot \pi \cdot R_{EQ} \cdot (0.22\mu\text{F})} \quad (8)$$

This pole will limit the bandwidth of the error amplifier, as described in the next section.  $F_{POLE}$  can be increased by decreasing  $R_7$  and  $R_8$ ; however, this will also increase the amount of current necessary to drive SC. When using VH as the supply,  $F_{POLE}$  should be limited to 1kHz maximum.

In order to select the appropriate components, the following should be defined:

1. The maximum output voltage of the error amplifier when saturated:  $V_{EAO(MAX)}$ .
2. The maximum SC voltage when the error amplifier is saturated:  $V_{SC(MAX)}$ .
3. The maximum PRM output voltage:  $PRM\_V_{OUT(MAX)}$ .
4. The SC pole frequency:  $F_{POLE}$ .

The recommended value for  $V_{SC(MAX)}$  is 3V. The absolute maximum voltage rating for the PRM SC port is 6V, and this value should be avoided with margin to prevent damage to internal components.  $R_7$  and  $R_8$  will be selected based on  $V_{SC(MAX)}$ ,  $V_{EAO(MAX)}$  and  $F_{POLE}$  using Equations 9 and 10:

$$R_7 = \frac{10\text{k}\Omega \cdot V_{EAO(MAX)}}{10\text{k}\Omega \cdot V_{SC(MAX)} \cdot 2\pi \cdot F_{POLE} \cdot 0.22\mu\text{F} - 1.24\text{V}} \quad (9)$$

$$R_8 = \frac{10k\Omega \cdot R_7 \cdot V_{SC(MAX)}}{10k\Omega \cdot V_{EAO(MAX)} + 1.24V \cdot R_7 - V_{SC(MAX)} \cdot (10k\Omega + R_7)} \quad (10)$$

Where:

$V_{EAO(MAX)}$  is the maximum error amplifier output voltage.

$V_{SC(MAX)}$  is the maximum SC voltage.

$F_{POLE}$  is the SC pole frequency (Equation 7).

Once the maximum SC voltage has been defined,  $R_9$  can be selected to limit the maximum PRM™ output voltage as defined in Equation 11:

$$R_9 = \left( \frac{R_{68} \cdot V_{SC(MAX)} \cdot 0.961}{PRM\_V_{OUT(MAX)} - V_{SC(MAX)} \cdot 0.961} \right) \quad (11)$$

The recommended components are designed to provide a maximum PRM output voltage that will not exceed its maximum rating. The parameters used for selecting these components are shown in Table 4.

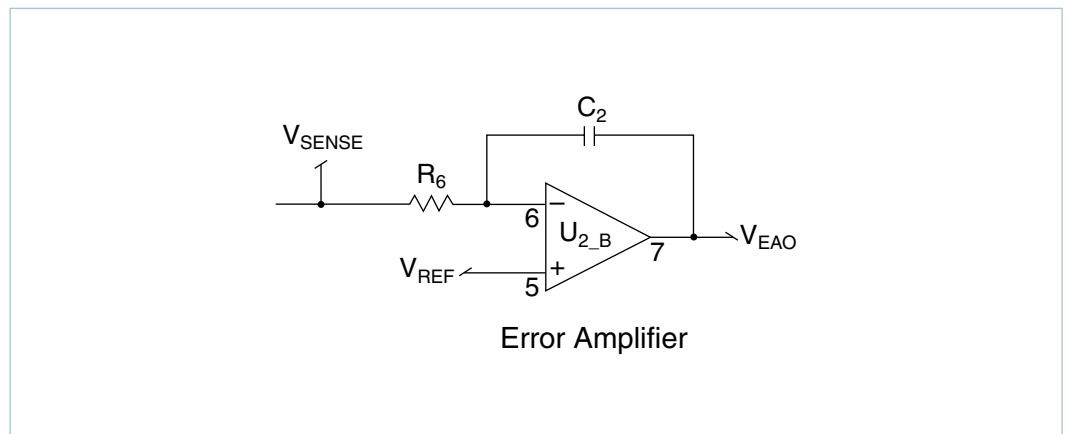
**Table 4**  
Parameters

Parameter	Value
$V_{EAO(MAX)}$	8.6V
$V_{SC(MAX)}$	3V
$F_{POLE}$	1kHz
$PRM\_V_{OUT(MAX)}$	*56V

\*51V maximum for MP028F036M12AL

### Compensation Components ( $R_6$ , $C_2$ )

**Figure 8**  
Error Amplifier Components

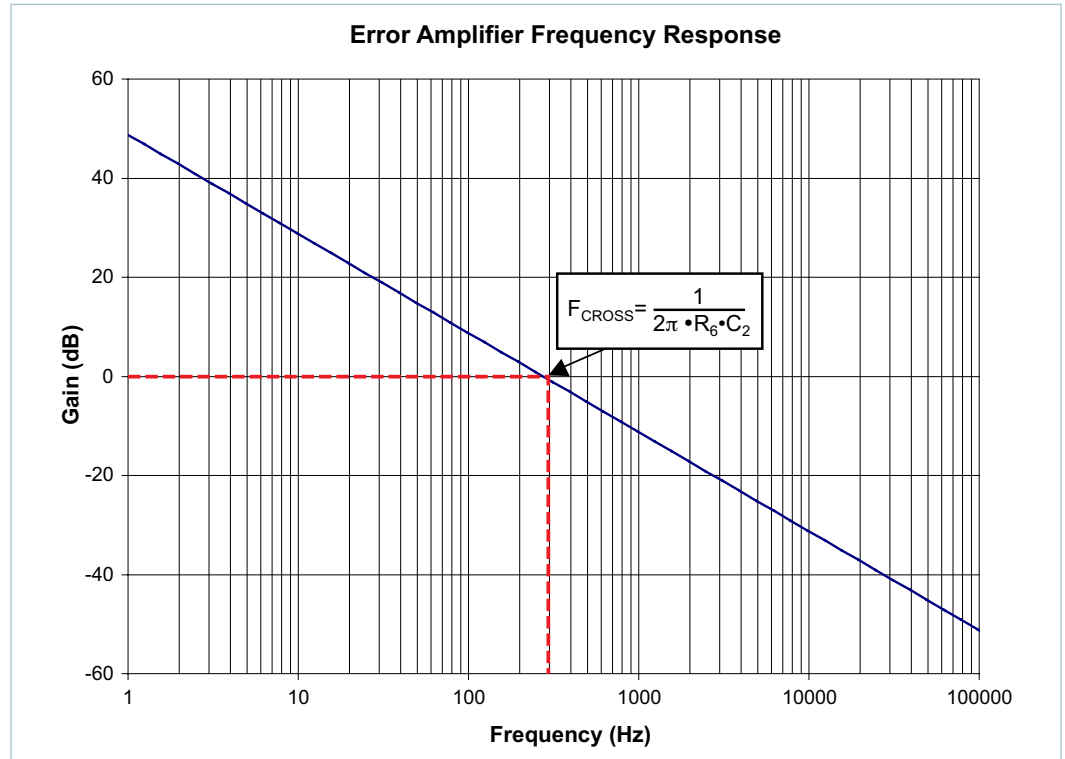


The compensation for this circuit consists of a single pole with the frequency response described by Equation 12 and shown in Figure 9. Starting at the origin ( $f = 0\text{Hz}$ ), the gain will decrease at a slope of  $-20\text{dB/decade}$  when plotted vs. frequency on a log/linear scale. The crossover frequency ( $F_{\text{CROSS}}$ ) of the error amplifier is determined by  $R_6$  and  $C_2$  as described in Equation 13.

$$G(\text{dB}) = 20 \cdot \log\left(\frac{1}{2\pi \cdot R_6 \cdot C_2 \cdot f}\right) \quad (12)$$

$$F_{\text{CROSS}} = \frac{1}{2\pi \cdot R_6 \cdot C_2} \quad (13)$$

**Figure 9**  
Error Amplifier  
Frequency Response



In order to insure stability, the error amplifier crossover frequency ( $F_{\text{CROSS}}$ ) should be limited to a factor of 10 below the SC pole frequency.

$$F_{\text{CROSS}} = \frac{F_{\text{POLE}}}{10} \quad (14)$$

Rearranging the terms in Equation 13 allows for solving for the product of  $R_6$  and  $C_2$  to achieve the desired crossover frequency. The recommended values will provide a crossover frequency of approximately 100Hz.

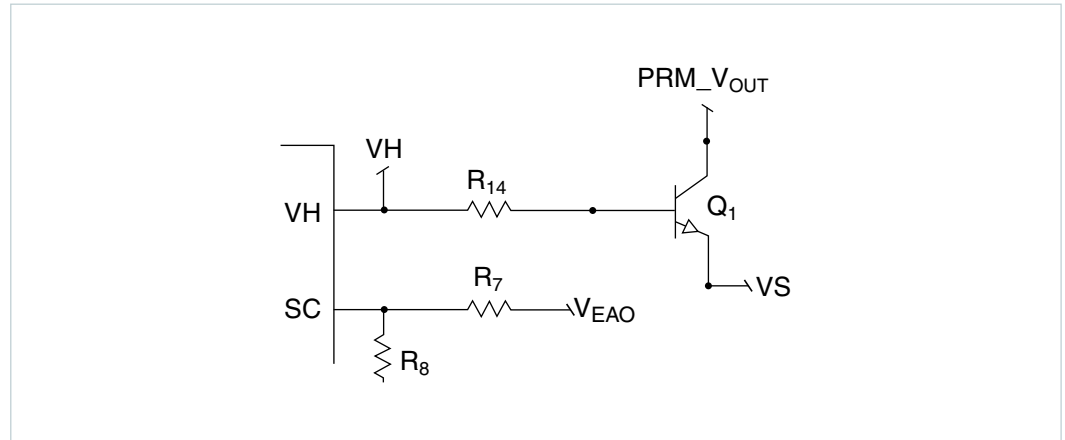
$$R_6 \cdot C_2 = \frac{1}{2\pi \cdot F_{\text{CROSS}}} \quad (15)$$

## Voltage Supply (VH)

The recommended configuration is to power the op amp and reference using VH. VH is an auxiliary 9V supply generated internally by the PRM™. It is limited to 5mA of current, and 0.1μF of capacitance. If the recommended configuration has been changed, the maximum expected current draw should be determined to ensure that the 5mA limit is not exceeded.

If necessary, one method for increasing the capability of VH is shown in Figure 10.

**Figure 10**  
Increasing VH Source Capability



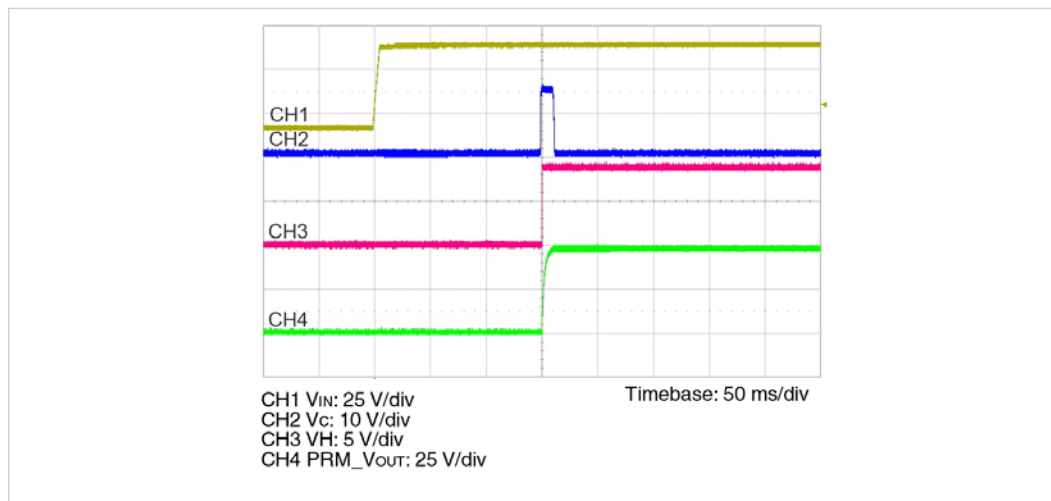
The transistor Q<sub>1</sub> is added as an emitter follower between the output and the supply rail (VS). R<sub>14</sub> is sized to limit the maximum VH current draw. Since the majority of the power is now sourced through the PRM output, the limitation in supply current is determined by the transistor thermal limitations. The STMicro [STN715](#) transistor allows for an 18mA capability at an 85°C ambient temperature, and a 55V PRM output voltage.

External supplies can be used if available, provided that the supply is primary referenced. Additional considerations for startup sequencing will need to be taken into account as described in the next section.

## Startup Sequencing of the Current Regulation Circuit

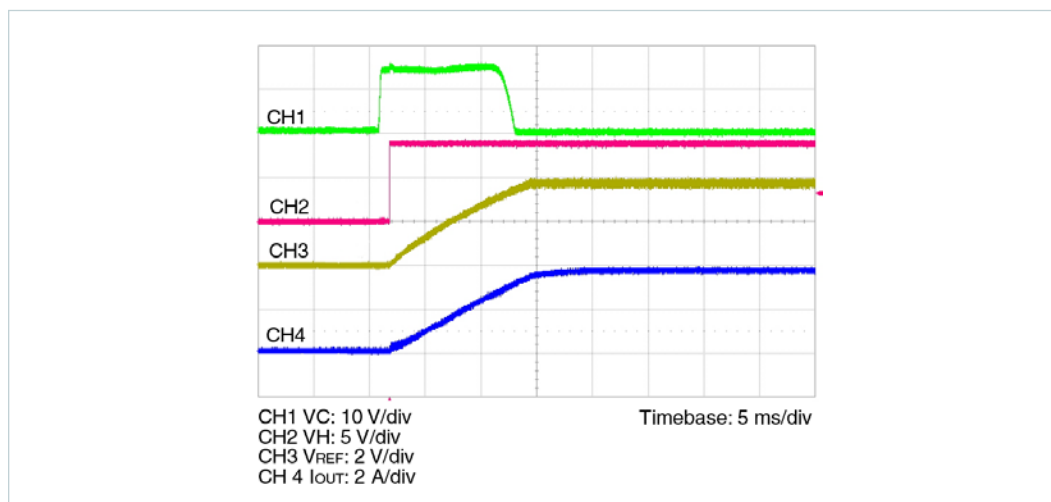
A typical PRM™ startup sequence is shown in Figure 11. From the application of input power, there is a delay prior to the PRM beginning to ramp its output voltage. At this time, VH and VC are generated. VC is a pulse of approximately 10msec, which allows the VTM™ to temporarily operate below its minimum input of 26V. With the VC pulse applied, the VTM output will track its input from 0V, resulting in a soft start. The SC voltage directly controls the rate of rise of the PRM output. The same sequence would occur if enabling through the PC pin, the only difference being the delay time.

**Figure 11**  
PRM Startup from  
Application of  $V_{IN}$



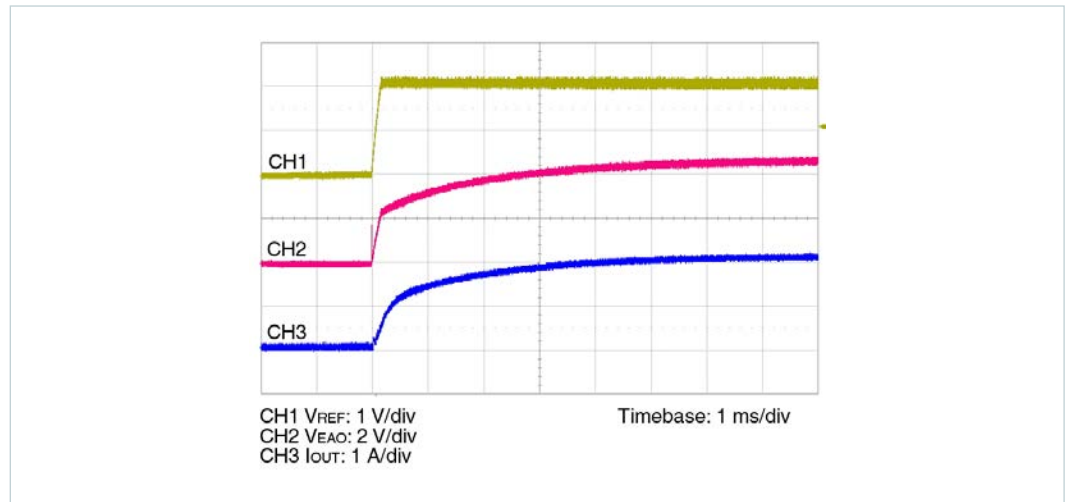
The startup timing for the constant current circuit is controlled not only by the rise time of  $V_{REF}$ , but also the magnitude of the reference voltage, and the error amplifier compensation components. The compensation components,  $R_6$  and  $C_2$ , limit the maximum rate of rise of the error amplifier output, leading to two startup timing conditions. The first is illustrated in Figure 12, where the rate of rise of the reference is below the maximum rate of the error amplifier. In this case, the output of the error amplifier is able to track the reference; and the result is an output current rise that closely matches that of the reference voltage.

**Figure 12**  
Constant Current  
Startup Condition 1



The second condition is where the rate of rise of  $V_{REF}$  exceeds the maximum rate of the error amplifier. In this case the error amplifier output will change its rate of rise in order force a current through  $C_2$  and  $R_6$  temporarily equalizing the voltages at pin 5 and pin 6. This is illustrated in Figure 13. As the output current increases during the startup sequence, the necessary slope decreases until output current feedback is able to satisfy the error amplifier.

**Figure 13**  
Constant Current  
Startup Condition 2

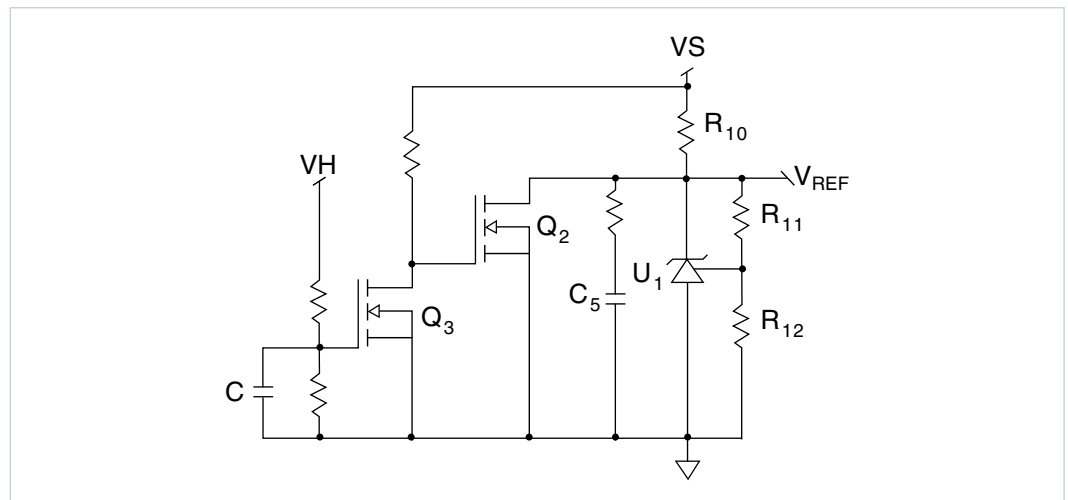


The startup timing for this condition is dependant on the magnitude of the reference voltage, and the characteristics of the load. Higher reference voltages will have a faster rise time, while lower reference voltages will have a slower rise time. To ensure a proper start-up, the VTM™ input voltage must reach 26V within the 10ms VC pulse duration. If the voltage is too low, the VTM will be unable to sustain its internal VCC when the VC voltage drops, and will subsequently shut down. This puts a limitation on maximum rise time, and thus the minimum allowable reference voltage for a given  $C_2$  and  $R_6$ . Low reference voltage set points may result in a condition where the output rise time is slower than the minimum 10msec to ensure a proper startup. In this case, the user should adjust the gain of the current sense amplifier to ensure that the reference voltage is high enough at the desired output current to ensure a proper start. Once running, the current can be trimmed down to a lower level without issue. An alternative solution would be to start at a higher output current and then trim down once the unit is up and running.

When powering the circuit from VH, the amplifier supply voltage and reference will not be generated until VH is present. This is the instant at which the PRM™ is able to respond to a control signal. If the supply and reference were present prior to this instant, the circuit would not have a controlled start. The error amplifier would rail in an unsuccessful attempt to bring the current up to the appropriate value. This is an undesirable situation. Once the PRM is enabled, the control signal would be at a maximum, forcing the PRM to its maximum voltage with no control over the rate of rise.

The rise of the voltage reference must be synchronized to the VH signal to ensure that the error amplifier voltage remains low until the PRM is ready to respond to a control signal. The circuit shown in Figure 14 is one example of a modification of the circuit shown in Figure 6 which enables operation with an external supply.

**Figure 14**  
Reference Sequencing Circuit



\*VS is an external supply

## Current Regulation Accuracy

The fact that the current control is done at the VTM™ input adds additional complexity as variations in the VTM parameters and load voltage will lead to errors in the current set point. The contributing factors to the overall accuracy are the current sensing accuracy, reference accuracy, and variation in the VTM efficiency, VTM  $R_{OUT}$ , and  $V_{OUT}$ .

The current sensing accuracy is mostly determined by the magnitude of the input offset voltage of the AD8667 with respect to the shunt voltage. The offset error can be approximated by Equation 16.

$$\text{Offset\_}\%Error = \left( \frac{V_{OFFSET}}{V_{SHUNT}} \right) \cdot 100 \quad (16)$$

Where:

$V_{OFFSET}$  is the specified offset voltage of the op amp.

$V_{SHUNT}$  is the shunt voltage at the operating current.

Since the shunt voltage is a function of load the offset error will vary with load current and will be worse at lighter loads. If the maximum current is consistently low, consider increasing the shunt value for improved accuracy.

The other contributing factors to the accuracy are the expected variation in the load voltage, VTM  $R_{OUT}$  and VTM efficiency. When using the values for efficiency given in the data sheet, the expected variation is  $\pm 1\%$ . This percentage error carries over to the overall accuracy.

The effect of  $R_{OUT}$  and  $V_{OUT}$  variation is dependent on nominal operating conditions and can be predicted by Equation 17 and Equation 18:

$$\text{Voltage\_}\%Error = \frac{V\%}{\left( 1 - \frac{K \cdot V_{OUT} \cdot (1 + V\%)}{I_{IN} \cdot R_{OUT} \cdot \eta} \right)} \cdot 100 \quad (17)$$

$$R_{OUT\_}\%Error = \frac{R\%}{\left( \frac{K \cdot V_{OUT}}{I_{IN} \cdot R_{OUT} \cdot \eta} - (1 + R\%) \right)} \cdot 100 \quad (18)$$

Where:

$I_{IN}$  is the set VTM input current

$V_{OUT}$  is the nominal output voltage of the load device

V% is the % variation of the load voltage

$R_{OUT}$  is the nominal output resistance of the VTM

R% is the percent variation in  $R_{OUT}$  (from data sheet)

K is the VTM input to output ratio

$\eta$  is the nominal efficiency (from data sheet)

Table 5 summarizes the contributing factors to the overall error.

**Table 5**  
Current Source Error

Error Source	Error (%)	Comments
Shunt Tolerance	±0.1	0.1% Tolerance Shunt
Differential Amplifier Offset	$Offset\_ \%Error = \left( \frac{V_{OFFSET}}{V_{SHUNT}} \right) \cdot 100$	Load Dependent
Differential Amplifier Gain	±0.2	0.1% Tolerance Resistors
TLV431B Reference	±0.5	
TLV431 Divider	±0.2	0.1% Tolerance Resistors
VTM Efficiency	±1	
VTM R <sub>OUT</sub>	$R_{OUT\_ \%Error} = \frac{R\%}{\left( \frac{K \cdot V_{OUT}}{I_{IN} \cdot R_{OUT} \cdot \eta} - (1 + R\%) \right)} \cdot 100$	Equation 18
V <sub>OUT</sub>	$Voltage\_ \%Error = \frac{V\%}{\left( 1 - \frac{K \cdot V_{OUT} \cdot (1 + V\%)}{I_{IN} \cdot R_{OUT} \cdot \eta} \right)} \cdot 100$	Equation 17

If the overall accuracy is not acceptable, the current sensing stage can be moved to the output of the VTM™. As the VTM is an isolated device, this will require the addition of an opto coupler to transfer the feedback signal to the primary side. The implementation of this additional stage is beyond the scope of this document. Please contact Vicor applications engineering for additional information if required.

## Layout Considerations

Application Note AN:005 details board layout using VI Chip® components. Additional consideration must be given to the external current control circuit components.

The shunt voltage is on the millivolt level and is highly sensitive to noise. As such, current sensing circuitry should be located close to the shunt to avoid routing the sense signal over any distance. A 4-terminal Kelvin contact shunt is recommended for best results, eliminating error caused by solder resistance from the shunt to the current carrying connection on the PCB.

The control signal from the sense circuit to the PRM™ should be shielded. Avoid routing this signal directly underneath the PRM if possible. Components that tie directly to the PRM should be located close to their respective pins. It is also critical that all components be referenced to SG, and that SG not be tied to any other ground in the system, including –IN and –OUT of the PRM.

Ensure that there is no unintentional bypass path which effectively shorts the shunt resistor.

## Conclusion

The high power density and high efficiency of VI Chips can be used to power LEDs and other loads requiring regulated current operation by using the circuit and guidelines discussed in this document. Appendix A covers a complete design example using the Constant Current LED Driver Demonstration board.

For additional assistance, circuit, schematic, or board layout review please contact Vicor Applications Engineering at: <http://www.vicorpower.com/contact-us>.

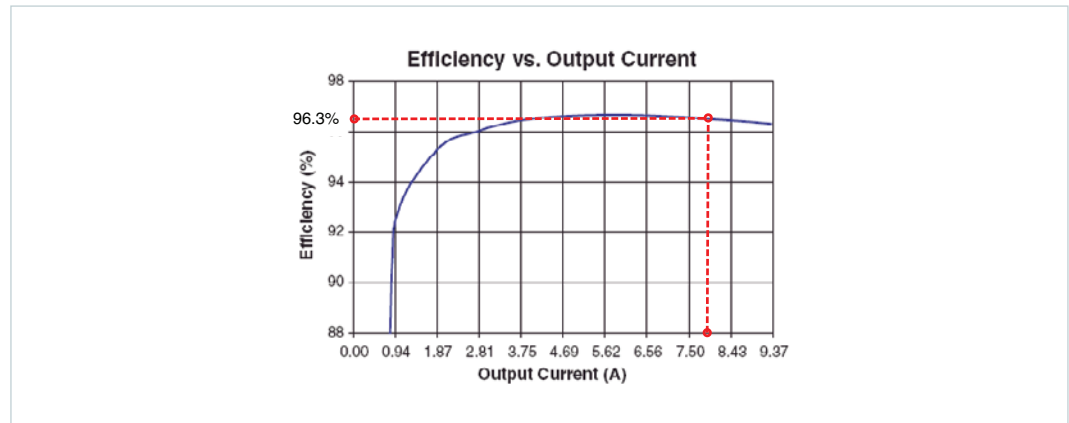


## Appendix A - Design Example

An application requires that eight, 1A Opto-Semiconductor LED strings be placed in parallel for appropriate luminance intensity. The current control accuracy required is  $\pm 5\%$ . The forward voltage of the cells in question ranges from 20V to 30V and is nominally 25V. The input voltage is 48V  $\pm 10\%$ . The maximum ambient temperature is 50°C.

1. Select the appropriate VTM™ from the product listing:  
V048F320T009 is chosen due to its operating voltage range of 17.3V to 36.7V, and a maximum output current of 9A. This voltage and current range fall within the specification of the LED string.
2. Find the required PRM™ output current:  
The efficiency plot of the V048F320T009 is located on the data sheet (Figure 3, pg. 3) and used to determine the VTM efficiency, which is approximately 96.3% at 8A.

**Figure A1**  
V048F320T009 Efficiency  
vs. Load Graph



The nominal value for  $R_{OUT}$  is found to be 79m $\Omega$  from the output specifications table on Page 2 of the data sheet.

**Figure A2**  
V048F320T009 Output  
Specifications Table

Output Specs (Conditions are at 48 Vin, full load, and 25°C ambient unless otherwise specified)					
Parameter	Min	Typ	Max	Unit	Note
Output voltage	17.3		36.7	Vdc	No load
	16.4		35.8	Vdc	Full load
Rated DC current	0		9.4	Adc	26 - 55 VIN
Peak repetitive current			14.1	A	Max pulse width 1ms, max duty cycle 10%, baseline power 50%
Short circuit protection set point	9.6			Adc	Module will shut down
Current share accuracy		5	10	%	See Parallel Operation on Page 9
Efficiency					
Half load	95.2	96.5		%	See Figure 3
Full load	95.0	96.2		%	See Figure 3
Internal output inductance		1.1		nH	
Internal output capacitance		12		$\mu$ F	Effective value
Output overvoltage setpoint	36.7			Vdc	Module will shut down
Output ripple voltage					
No external bypass		175	335	mVp-p	See Figures 2 and 5
4.7 $\mu$ F bypass capacitor		14		mVp-p	See Figure 6
Effective switching frequency	2.4	2.8	3.2	MHz	Fixed, 1.4 MHz per phase
Line regulation					
K	0.6600	2/3	0.6733		$V_{OUT} = K \cdot V_{IN}$ at no load
Load regulation					
R <sub>OUT</sub>		79	98	m $\Omega$	See Figure 16
Transient response					
Voltage overshoot		540		mV	9.4 A load step with 100 $\mu$ F C <sub>IN</sub> , See Figures 7 and 8
Response time		200		ns	See Figures 7 and 8
Recovery time		1		$\mu$ s	See Figures 7 and 8

Using these numbers, and the nominal output voltage of the LED string (25V), the necessary PRM™ output current is calculated for a VTM™ output current of 8A using Equation 4 from the Application Note.

$$VTM_{I_{IN}} = PRM_{I_{OUT}} = \frac{V_{OUT} \cdot I_{OUT} \cdot K}{\eta \cdot (V_{OUT} + I_{OUT} \cdot R_{OUT})} = \frac{25V \cdot 8A \cdot 2/3}{0.963 \cdot (25V + 8A \cdot 0.079\Omega)} = 5.4A$$

The P045F048T32AL is selected for its 6.67A output current capability and 38V – 55V input voltage range.

- Find the necessary reference voltage:  
The recommended values for the shunt resistor, and gain resistors are used. Equation 5 is used to determine the necessary reference voltage for a 5.4A PRM output current.

$$V_{REF} = PRM_{I_{OUT}} \cdot R_1 \cdot \frac{R_3}{R_2} = 5.4A \cdot 10m\Omega \cdot \frac{100k\Omega}{1k\Omega} = 5.4V$$

Using a TLV431B shunt regulator, R<sub>11</sub>, and R<sub>12</sub> are selected to provide a 5.4V output using 0.1% tolerance resistors. R<sub>10</sub> is selected to limit the current to 1mA.

$$R_{10} = \frac{VH - V_{REF}}{1mA} = \frac{9V - 5.4V}{1mA} = 36k\Omega$$

The closest standard 1% value is selected as 35.7kΩ.

- Determine the maximum PRM output voltage:  
The maximum PRM output voltage is selected to ensure that the PRM and VTM can provide the maximum operating voltage of 30V taking into account the maximum output resistance (R<sub>OUT(MAX)</sub>) of the VTM. For additional margin, the maximum output voltage is increased by 1V.

$$PRM_{V_{OUT(MAX)}} = \frac{(V_{OUT(MAX)} + I_{OUT} \cdot R_{OUT(MAX)})}{K} = \frac{31V + 8A \cdot (98m\Omega)}{2/3} = 47.7V$$

- Find R<sub>7</sub>, R<sub>8</sub> and R<sub>9</sub>:  
The recommended parameters are used for the maximum SC voltage (V<sub>SC(MAX)</sub> = 3V) and SC pole frequency (F<sub>POLE</sub> = 1kHz) defined in Table 4. The maximum error amplifier output voltage (V<sub>EAO(MAX)</sub>) is determined from the AD8667 data sheet which specifies the output dropout voltage as a function of temperature on page 8 ([www.analog.com/UploadedFiles/Data\\_Sheets/AD8663\\_AD8667\\_AD8669.pdf](http://www.analog.com/UploadedFiles/Data_Sheets/AD8663_AD8667_AD8669.pdf)). At 50°C, the dropout voltage is 250mV, resulting in a V<sub>EAO(MAX)</sub> of 8.75V.

Using Equation 9, R<sub>7</sub> is calculated:

$$R_7 = \frac{10k\Omega \cdot V_{EAO(MAX)}}{10k\Omega \cdot V_{SC(MAX)} \cdot 2\pi \cdot F_{POLE} \cdot 0.22\mu F - 1.24V} = \frac{10k\Omega \cdot 8.75V}{10k\Omega \cdot 3V \cdot 2\pi \cdot 1kHz \cdot 0.22\mu F - 1.24V} = 2.4k\Omega$$

The closest standard 1% value is selected as 2.37kΩ

Using Equation 10, R<sub>8</sub> is selected:

$$R_8 = \frac{10k\Omega \cdot R_7 \cdot V_{SC(MAX)}}{10k\Omega \cdot V_{EAO(MAX)} + 1.24V \cdot R_7 - V_{SC(MAX)} \cdot (10k\Omega + R_7)} = \frac{10k\Omega \cdot 2.37k\Omega \cdot 3V}{10k\Omega \cdot 8.75V + 1.24V \cdot 2.37k\Omega - 3V \cdot (10k\Omega + 2.37k\Omega)} = 1.33k\Omega$$

The closest standard 1% value is selected as 1.33kΩ.

Using Equation 11, R<sub>9</sub> is selected based on V<sub>SC(MAX)</sub>, PRM\_V<sub>OUT(MAX)</sub>, and the R<sub>68</sub> value from Table 1:

$$R_9 = \left( \frac{R_{68} \cdot V_{SC(MAX)} \cdot 0.961}{PRM\_V_{OUT(MAX)} - V_{SC(MAX)} \cdot 0.961} \right) = \left( \frac{93.1k\Omega \cdot 3V \cdot 0.961}{47.7V - 3V \cdot 0.961} \right) = 5.99k\Omega$$

The closest standard 1% value is selected as 6.04kΩ.

6. Determine the compensation components R<sub>6</sub> and C<sub>2</sub>  
The crossover frequency is selected as 100Hz which is a factor of 10 below the SC pole frequency of 1kHz.

C<sub>2</sub> is fixed at a standard value of 0.1μF, and R<sub>6</sub> is calculated using Equation 15:

$$R_6 = \frac{I}{C_2 \cdot 2\pi \cdot F_{CROSS}} = \frac{I}{0.1\mu F \cdot 2\pi \cdot 100Hz} = 15.9k\Omega$$

The closest standard 1% value is selected as 16kΩ.

7. Determine the overall accuracy:

The sources of error are specified in Table 5. These factors are added up to determine the overall % error.

The shunt error is 0.1%.

The offset error is calculated using Equation 16, assuming a maximum input offset voltage of 300μV for the AD8667 at 50°C.

$$Offset\_ \%Error = \left( \frac{V_{OFFSET}}{V_{SHUNT}} \right) \cdot 100 = \left( \frac{300\mu V}{5.4A \cdot 10m\Omega} \right) \cdot 100 = .55\%$$

The error due to the gain resistors is .2%

The error due to the voltage reference and resistors is .7%

The error due to variation in efficiency is 1%

In order to calculate the error due to output voltage variation, the percent variation in the load voltage from the nominal is calculated based on the specifications.

$$V\% = \frac{V_{MAX} - V_{NOM}}{V_{NOM}} = \frac{30V - 25V}{25V} = 20\% = 0.2$$

The maximum percent error due to this voltage variation is predicted using Equation 17.

$$Voltage\_ \%Error = \frac{V\%}{\left(1 - \frac{K \cdot V_{OUT} \cdot (1 + V\%)}{I_{IN} \cdot R_{OUT} \cdot \eta}\right)} \cdot 100 = \frac{0.2}{\left(1 - \frac{2/3 \cdot 25V \cdot (1 + 0.2)}{5.4A \cdot 79m\Omega \cdot .963}\right)} \cdot 100 = 0.4\%$$

In order to calculate the error due to variation in  $R_{OUT}$ , the percent variation in  $R_{OUT}$  from the nominal is calculated based on the data sheet specifications.

$$R\% = \frac{R_{OUT(MAX)} - R_{OUT(NOM)}}{R_{OUT(NOM)}} = \frac{98m\Omega - 79m\Omega}{79m\Omega} = 24\% = 0.24$$

The maximum percent error due to this variation is predicted from Equation 17.

$$R_{OUT}\ \%Error = \frac{R\%}{\left(\frac{K \cdot V_{OUT}}{I_{IN} \cdot R_{OUT} \cdot \eta} - (1 + R\%)\right)} \cdot 100 = \frac{0.24}{\frac{2/3 \cdot 25V}{5.4A \cdot 79m\Omega \cdot 0.963} - (1 + .24)} \cdot 100 = 0.61\%$$

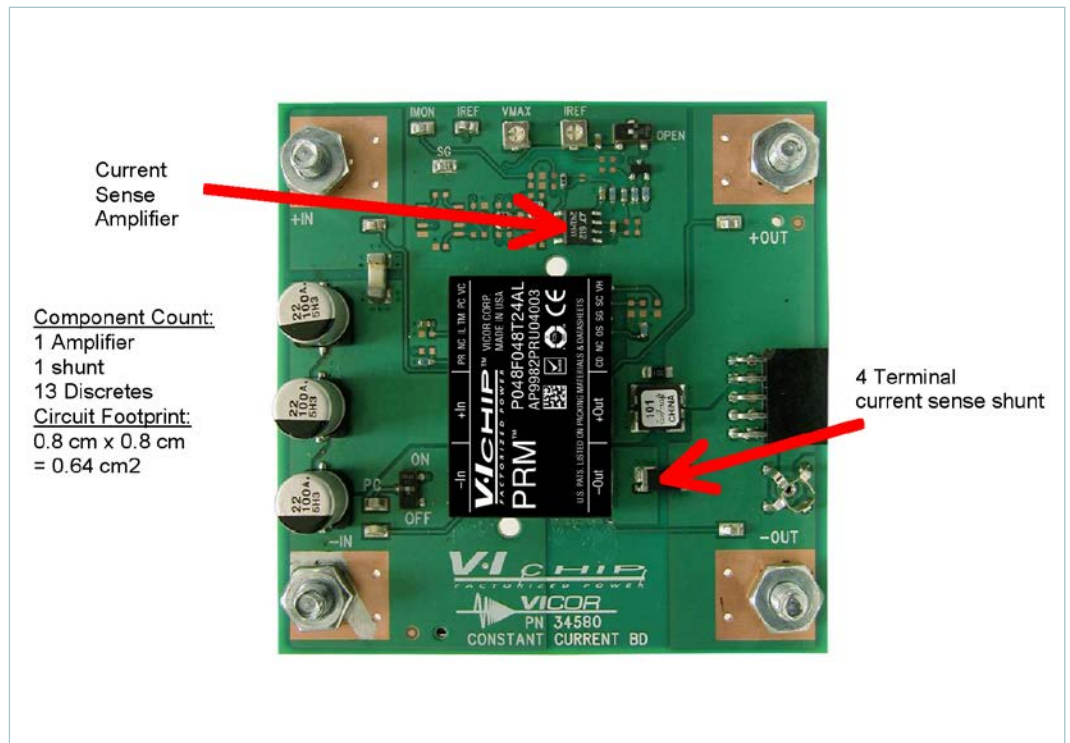
The total error is the sum of all the errors.

$$Total\_ \%Error = Shunt\_ \%Error + Offset\_ \%Error + Gain\_ \%Error + Reference\_ \%Error + Efficiency\_ \%Error + V_{OUT}\ \%Error + R_{OUT}\ \%Error$$

$$Total\_ \%Error = 0.1\% + 0.55\% + 0.2\% + 0.7\% + 1.0\% + 0.4\% + 0.6\% = 3.6\%$$

Designing an LED driver circuit can be a challenging task due to the design variabilities and unknowns which may occur during the process. A Constant Current LED Driver Demonstration Board is available to assist in the design process. The board contains the basic circuit outlined in AN:018 along with the ability to adjust the output voltage and current settings and match the PRM with any standard VTM®. For further information please consult the User's Guide (UG:007 [www.vicorpower.com/documents/user\\_guides/vichip/ug-ConstantCurrent.pdf](http://www.vicorpower.com/documents/user_guides/vichip/ug-ConstantCurrent.pdf)).

**Figure A3**  
Constant Current LED Driver  
Demonstration Board



---

## Limitation of Warranties

Information in this document is believed to be accurate and reliable. HOWEVER, THIS INFORMATION IS PROVIDED "AS IS" AND WITHOUT ANY WARRANTIES, EXPRESSED OR IMPLIED, AS TO THE ACCURACY OR COMPLETENESS OF SUCH INFORMATION. VICOR SHALL HAVE NO LIABILITY FOR THE CONSEQUENCES OF USE OF SUCH INFORMATION. IN NO EVENT SHALL VICOR BE LIABLE FOR ANY INDIRECT, INCIDENTAL, PUNITIVE, SPECIAL OR CONSEQUENTIAL DAMAGES (INCLUDING, WITHOUT LIMITATION, LOST PROFITS OR SAVINGS, BUSINESS INTERRUPTION, COSTS RELATED TO THE REMOVAL OR REPLACEMENT OF ANY PRODUCTS OR REWORK CHARGES).

Vicor reserves the right to make changes to information published in this document, at any time and without notice. You should verify that this document and information is current. This document supersedes and replaces all prior versions of this publication.

All guidance and content herein are for illustrative purposes only. Vicor makes no representation or warranty that the products and/or services described herein will be suitable for the specified use without further testing or modification. You are responsible for the design and operation of your applications and products using Vicor products, and Vicor accepts no liability for any assistance with applications or customer product design. It is your sole responsibility to determine whether the Vicor product is suitable and fit for your applications and products, and to implement adequate design, testing and operating safeguards for your planned application(s) and use(s).

VICOR PRODUCTS ARE NOT DESIGNED, AUTHORIZED OR WARRANTED FOR USE IN LIFE SUPPORT, LIFE-CRITICAL OR SAFETY-CRITICAL SYSTEMS OR EQUIPMENT. VICOR PRODUCTS ARE NOT CERTIFIED TO MEET ISO 13485 FOR USE IN MEDICAL EQUIPMENT NOR ISO/TS16949 FOR USE IN AUTOMOTIVE APPLICATIONS OR OTHER SIMILAR MEDICAL AND AUTOMOTIVE STANDARDS. VICOR DISCLAIMS ANY AND ALL LIABILITY FOR INCLUSION AND/OR USE OF VICOR PRODUCTS IN SUCH EQUIPMENT OR APPLICATIONS AND THEREFORE SUCH INCLUSION AND/OR USE IS AT YOUR OWN RISK.

## Terms of Sale

The purchase and sale of Vicor products is subject to the Vicor Corporation Terms and Conditions of Sale which are available at: (<http://www.vicorpower.com/termsconditionswarranty>)

## Export Control

This document as well as the item(s) described herein may be subject to export control regulations. Export may require a prior authorization from U.S. export authorities.

Contact Us: <http://www.vicorpower.com/contact-us>

### Vicor Corporation

25 Frontage Road  
Andover, MA, USA 01810  
Tel: 800-735-6200  
Fax: 978-475-6715  
[www.vicorpower.com](http://www.vicorpower.com)

### email

Customer Service: [custserv@vicorpower.com](mailto:custserv@vicorpower.com)  
Technical Support: [apps@vicorpower.com](mailto:apps@vicorpower.com)